



“

## SNOWPLOWS & ACCESSORIES

MORE JOBS.  
**DONE FASTER.**





## RISE TO NEW CHALLENGES WHETHER OR NOT THEY HAPPEN DURING REGULAR BUSINESS HOURS

- 8-11** V-PLOW SERIES
- 12-15** WINGED PLOW SERIES
- 16-21** STRAIGHT BLADE PLOW SERIES
- 22-23** CONTROL OPTIONS
- 24-31** ACCESSORIES / SPECS

When plowing is your profession, it's up to you to keep the world moving through winter's worst. Less time worrying about your equipment means more time for clearing lots.

The ticking clock controls your paycheck. Minutes wasted are dollars lost. When your schedule is packed and your budget even tighter, the only thing worth your hard-earned money is *better results*.

That's why Western Products builds efficiency into every feature of our ice control equipment. With more than 70 years of experience behind us, Western Products knows what it takes to conquer all the depths of winter.

Mother Nature may not offer guarantees—but we build a promise into every piece of equipment we make:

**MORE JOBS. DONE FASTER.**

# STANDARD FEATURES

When we pledge to help you get more jobs done faster—you can believe that our primary focus is to keep you as efficient as possible. This means building time-saving features into our plows to make sure you spend less time in your shop and more time plowing. Because when snow flies, you don't have a second to spare.



## ULTRAMOUNT® 2 SNOWPLOW MOUNTING SYSTEM

The exclusive WESTERN® UltraMount 2 system is designed for fast and easy installation and removal using a simple mechanical system. It features a robust, one-piece design and is 100% compatible with UltraMount® system mounts and electrical platforms.

### QUICK AND EASY ATTACHMENT

Drive into the extra-wide, flared receiver brackets. Pull the shoe handle up, pull the lock pin and rotate the handle up. Repeat on the other side and plug in the electrical connections.

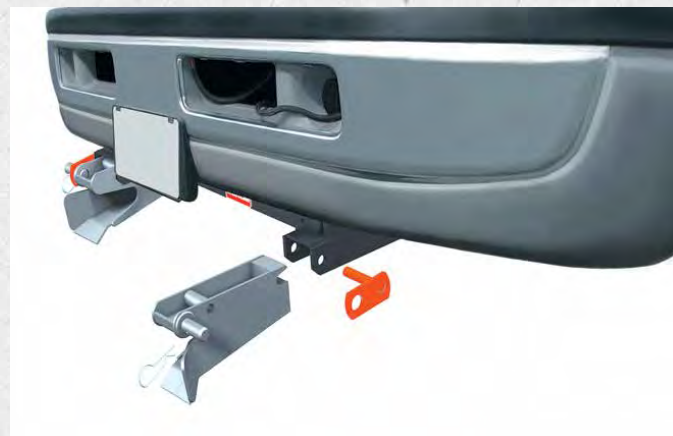
### DURABLE CONSTRUCTION

The entire UltraMount 2 attachment is built upon a robust A-frame/T-frame construction with three-inch square tubing for extra strength and durability.



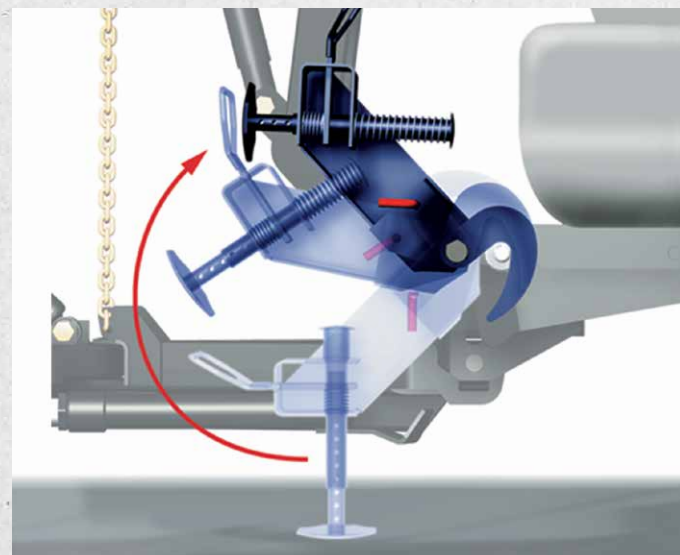
### EXCLUSIVE ROTATING PIVOT BAR

The patented PIVOT BAR keeps the attaching points level even when the blade is not, for accurate drive-in alignment. It removes undue stress on the A-frame pivot bolt and pin, as well as the A-frame itself, reducing the risk of frame failure and breakage of key components. It also allows the blade to pivot while plowing on uneven terrain for a cleaner scrape and more even cutting edge wear.



### REMOVABLE RECEIVER BRACKETS

Quickly maximize vehicle ground clearance in the off-season. No tools required.



# UNIVERSAL FEATURES



## ULTRA FINISH

### ULTRAFINISH™ BAKED-ON POWDER COAT

The ULTRAFINISH baked-on powder coat with epoxy primer is standard on all WESTERN® plows, providing outstanding protection against wear and rust.

### RELIABLE HYDRAULICS

We manufacture our own hydraulic components to ensure the highest standards of quality.

### UNIVERSAL CONTROLS

Choose between a CabCommand hand-held control with push buttons or a joystick control, based on operator preference.

### PREPUNCHED BLADES FOR ACCESSORIES

Plow blades are prepunched for easy installation of accessories, providing a custom fit. The prepunched holes also prevent damage to the powder coat that can sometimes occur when installing an accessory.

### ISOLATION MODULE

This advanced snowplow light and electrical system features improved electrical pins in the harness plugs for trouble-free connections. An underhood module improves system life and complies with OEM requirements. No toggle switch is needed to change from vehicle to plow lights.

### SECURITY GUARD™ ANTI-THEFT SYSTEM

Provides a safe and secure way to electronically lock your snowplow when it is detached from your truck. Unlike physical locks that can easily be cut or removed, the system allows you to electronically lock the snowplow's hydraulic functions, rendering your plow inoperable to unauthorized users.

### CHAIN LIFT SYSTEM

The mechanical chain lift system offers a variety of performance and reliability advantages over a hydraulic system.

### CLEAN SCRAPING PERFORMANCE

Experience instantaneous "float" when lowering the blade, enabling it to freely follow the contours of the plowing surface for a cleaner scrape.

### HIGHER STACKING

Stack snow higher with non-restrictive plow movement by the length of the ram stroke like on cylinder lift systems.

### RELIABLE

Count on long life dependability with fewer hydraulic and electrical components to worry about.

Excludes HTS™ plow, DEFENDER™ plow and IMPACT™ UTV plows.

### FLEET FLEX ELECTRICAL SYSTEM

Experience true fleet interchangeability. The same CabCommand hand-held or joystick control can operate any UltraMount® and UltraMount® 2 mounted plow on any truck at any time.

Excludes DEFENDER plow and IMPACT UTV plows

# NIGHTHAWK™ LED HEADLIGHTS

FULLY FLEET FLEX COMPATIBLE BACK TO 2008 MODEL YEAR VEHICLES

In order to clear the way, you need to be able to clearly see the path in front of you. NIGHTHAWK headlights from Western Products give you options, with state-of-the-art LED and dual-halogen options. The cold never stops you from plowing, and neither should the dark.



## PATENTED EdgeVIEW™ TECHNOLOGY

The EdgeView technology design features a dedicated lens and LED bulb that directs light through the outer edge of each headlight. This provides a full 180 degrees of light visibility, illuminating the plow from edge to edge, for the best all-around view of the plow's operating environment.

## 100% LED PERFORMANCE

The WESTERN® NIGHTHAWK LED headlights offer 100% LED performance, which means every single bulb inside of the headlights is an LED bulb. These LEDs provide up to two times the light output of halogens and have a much longer life expectancy for long-lasting performance.

## SOLID OPTICS

Enhanced solid optic elements place light exactly where it needs to be, rather than relying on reflectors to aim the light as with many other halogen and LED lights. This allows for optimized light projection which has been engineered specifically to improve poor visibility in inclement weather.

## INTUITIVE HEATING SYSTEM

Automatically senses temperature on the lens and activates heating elements when necessary to prevent snow and ice buildup, keeping the headlights at full illumination and you plowing ahead.

## ADVANCED LENS DESIGN

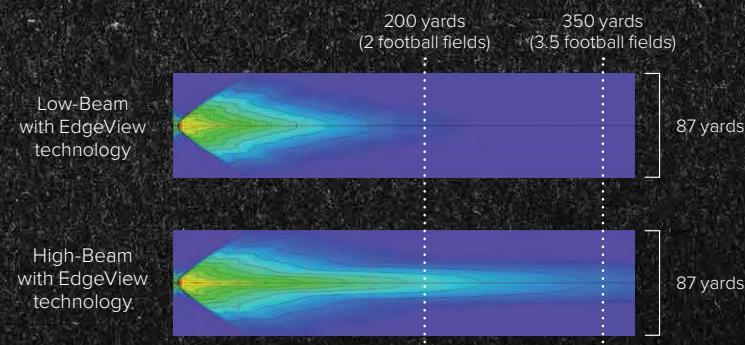
The forward-sloped lens is specially designed without a bezel to ensure it remains clean and free from ice buildup, and you can remain in the cab of your truck.

## ENGINEERED AND TESTED FOR DURABILITY

The NIGHTHAWK LED headlights are designed with a robust, two-stud mounting bracket that helps hold the headlights firmly in place. They are tested to withstand plowing in extreme temperatures, vibration, impact, water submersion, corrosion and shock.

## UPGRADE EXISTING TRUCK PLOWS

The NIGHTHAWK LED headlights are available as an option to upgrade existing WESTERN truck plows back to model year 2008 vehicles. To verify vehicle compatibility, be sure to check our online Quick Match program for all of the most up-to-date vehicle applications.



# NIGHTHAWK™ DUAL-HALOGEN HEADLIGHTS

## LOW AND HIGH BEAM PERFORMANCE

The low-beam pattern puts more light down immediately in front of the plow, helping to light up the operating environment when plowing. The high-beam pattern throws light down the road, making it easier for late-night operators to see road hazards while traveling between jobs.

## STATE-OF-THE-ART REFLECTIVE OPTICS

NIGHTHAWK dual-halogen headlights feature reflective optics that are engineered specifically for low-beam and high-beam modes. The dual-cavity design means each mode can provide the optimal light spread and throw, for a smooth, wide light beam pattern with minimal glare, no matter which mode you are in.

## MINIMIZE ICE BUILDUP

Halogen headlights are known to generate heat and as a result, minimize the buildup of snow and ice on the lens.



## LENS DESIGN

With the NIGHTHAWK dual-halogen headlights, a contoured lens and housing helps prevent beading and sheds moisture that can be caused by thawed snow and ice.

## ENGINEERED AND TESTED FOR DURABILITY

The NIGHTHAWK dual-halogen headlights are designed with a robust, two-stud mounting bracket that helps hold the headlights firmly in place. They are tested to withstand plowing in extreme temperatures, vibration, impact, water submersion, corrosion and shock.

## DUAL H9/H11 HALOGEN BULBS

The bulbs have an average life of 1,500 hours and are easy to replace through a simple, three-screw, bulb-access cover.



# V-PLOW SERIES

FEATURING THE **MVP 3™**, **MVP PLUS™** AND **ENFORCER™** PLOWS

## “ PUSH THROUGH THE DEPTHS OF WINTER. ”

When snow hits, you're never sure what you're going to find when you arrive at your client's property. Come prepared with a V-plow. Whether you need to push snow, windrow snow or stack snow, the V-plow can attack all snow removal activities with ease. These multi-purpose plows are built to transform easily with the press of a button between straight blade, V, and scoop modes. This allows your plow operators to get: More Jobs. Done Faster.

SNOWPLOWS PICTURED:  
**ENFORCER™**  
**MVP 3™**

*information on pages 10–11*



### MULTIPLE BLADE MODES

Easily change between straight blade, V-plow, and scoop blade configurations to best tackle the snow removal task you are performing.



### TRIP EDGE DESIGN

Each blade features independent trip-edge protection in all configurations—straight, V, or scoop—to keep snow in front of the blade.



### ULTRALOCK DOUBLE-ACTING CYLINDERS

Lock the wings together to easily maneuver the plow as a straight blade. The double-acting cylinders hold the wings firmly in place for clean, efficient back dragging.



### STEEL CENTER GAP COVER

To ensure the cleanest pass in any blade configuration, a snow-control deflector over the center hinge prevents snow from being lost over the top.

# MVP 3™

## HEAVY-DUTY

Heavy-Duty Commercial-Grade Multi-Purpose Plow



# MVP 3

Commercial-Grade Multi-Purpose Plow



# MVP PLUS™

Commercial-Grade Multi-Purpose Plow



# ENFORCER™

Half-Ton Multi-Purpose Plow



FEATURES	DESCRIPTION	FEATURES	DESCRIPTION
<b>BLADE SIZES</b>	10'6"	<b>BLADE SIZES</b>	8'6", 9'6"
<b>BLADE CONSTRUCTION</b>	11-gauge powder coated steel; 12-gauge stainless steel; thicker moldboards and a more robust base angle with additional hinge points.	<b>BLADE CONSTRUCTION</b>	14-gauge powder-coated steel and stainless steel (8'6", 9'6"); 0.25" high-density polyethylene (8'6" & 9'6").
<b>T-FRAME DESIGN</b>	Features a solid, one-piece construction from front to back and an oscillating pivot bar.	<b>T-FRAME DESIGN</b>	Provides added strength and allows blade-pitch adjustment to reduce uneven cutting edge wear.
<b>CUTTING EDGE</b>	6" high-carbon steel reduces wear and extends the life of the blade.	<b>CUTTING EDGE</b>	6" high-carbon steel reduces wear and extends the life of the blade.
<b>FLARED WINGS</b>	Reduce the amount of snow that rolls off the top of the plow with standard flared wings that rise 6"–10" from the center pin.	<b>FLARED WINGS</b>	Reduce the amount of snow that rolls off the top of the plow with standard flared wings that rise 6"–10" from the center pin.
<b>STRUCTURAL REINFORCEMENT</b>	Eight vertical ribs combined with the exclusive WESTERN® POWER BAR, provide exceptional torsional strength and rigidity, eliminating blade twisting.	<b>STRUCTURAL REINFORCEMENT</b>	Eight (8'6", 9'6") vertical ribs combined with the exclusive WESTERN POWER BAR, provide exceptional torsional strength and rigidity, eliminating blade twisting.
<b>ACCESSORIES</b>	Poly Cutting Edge, Carbide Cutting Edge, 0.5" and 0.625" Steel Cutting Edges, Back Drag Edge*, Plow Wings, Shoe Kits, Rubber Snow Deflector	<b>ACCESSORIES</b>	Poly Cutting Edge, Carbide Cutting Edge, 0.5" and 0.625" Steel Cutting Edges, Back Drag Edge*, Curb Guards, Plow Wings, Shoe Kits, Blade Stops, Rubber Snow Deflector
<b>STANDARD ACCESSORIES</b>	Blade angle stops and curb guards are standard.	<b>STANDARD ACCESSORIES</b>	N/A
<b>TRUCK CLASS</b>	3, 4, 5, 6, 7 (under 26,000 lb GVWR)	<b>TRUCK CLASS</b>	2, 3, 4

FEATURES	DESCRIPTION	FEATURES	DESCRIPTION
<b>BLADE SIZES</b>	8'6", 9'6"	<b>BLADE SIZES</b>	7'6"
<b>BLADE CONSTRUCTION</b>	14-gauge powder-coated steel (8'6", 9'6"); 0.25" high-density polyethylene (8'6", 9'6").	<b>BLADE CONSTRUCTION</b>	High-strength, low alloy steel is stronger and lighter than conventional steel; powder-coated steel or stainless steel.
<b>T-FRAME DESIGN</b>	Provides added strength and allows blade-pitch adjustment to reduce uneven cutting edge wear.	<b>T-FRAME DESIGN</b>	Provides added strength and allows blade-pitch adjustment to reduce uneven cutting edge wear.
<b>CUTTING EDGE</b>	6" high-carbon steel reduces wear and extends the life of the blade.	<b>CUTTING EDGE</b>	6" high-carbon steel reduces wear and extends the life of the blade.
<b>FLARED WINGS</b>	N/A	<b>FLARED WINGS</b>	Reduce the amount of snow that rolls off the top of the plow with standard flared wings that rise 6" from the center pin.
<b>STRUCTURAL REINFORCEMENT</b>	Eight (8'6", 9'6") vertical ribs combined with the exclusive WESTERN® POWER BAR, provide exceptional torsional strength and rigidity, eliminating blade twisting.	<b>STRUCTURAL REINFORCEMENT</b>	Six vertical ribs combined with the exclusive WESTERN POWER BAR, provide exceptional torsional strength and rigidity, eliminating blade twisting.
<b>ACCESSORIES</b>	Poly Cutting Edge, Carbide Cutting Edge, 0.5" and 0.625" Steel Cutting Edges, Back Drag Edge*, Curb Guards, Plow Wings, Shoe Kits, Blade Stops, Rubber Snow Deflector	<b>ACCESSORIES</b>	1" Poly Cutting Edge, 0.5" Steel Cutting Edge, Back Drag Edge*, Cast Iron or AR400 Steel Curb Guards, Shoe Kits, Blade Stops, 10" Rubber Snow Deflector
<b>STANDARD ACCESSORIES</b>	N/A	<b>STANDARD ACCESSORIES</b>	N/A
<b>TRUCK CLASS</b>	2, 3	<b>TRUCK CLASS</b>	Half-Ton

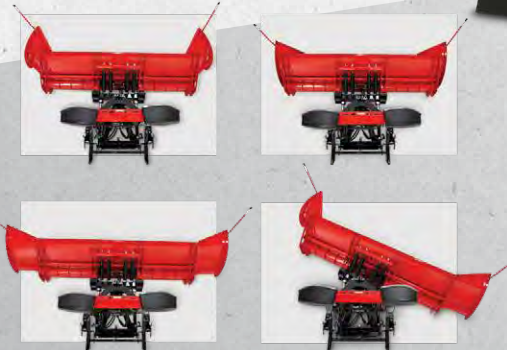
\* Not compatible with shoe kits and curb guards on V-plows



## “ EFFICIENCY COMES FROM FLEXIBILITY. ”

When conditions require maximum snow removal, WESTERN® winged plows are there to accept the challenge. Wing extensions allow you to windrow and scoop snow more efficiently than a straight blade. Models provide automatic or operator-controlled wing placement to move more snow with each pass. The WIDE-OUT™ models allow the wings to full retract to fit into narrower spaces as well.

SNOWPLOW  
PICTURED:  
WIDE-OUT™ XL



### WINGS

Wings provide extensions on the left and right side of the plow to extend the width of the blade and reduce snow that falls off the end of the blade during windrowing or scoop modes.

### TRIP BLADE AND WING PROTECTION

Four heavy duty coil springs protect your plow and truck by allowing the whole blade to trip when striking obstacles. The wings of the plow will trip in any position as well, including scoop.

### STANDARD CUTTING EDGE

The 6" standard, high-carbon steel cutting edge on the moldboard and wings ensures a clean scrape on every pass while reducing wear and extending the life of the blade.

### HIGH STRENGTH STEEL BASE CHANNEL

Provides extra support along the bottom of the plow blade.



# WINGED PLOW SERIES

FEATURING THE **WIDE-OUT™**, **WIDE-OUT™ XL** AND **PRODIGY™** PLOWS

# WIDE-OUT™ XL

Heavy-Duty Commercial, High-Efficiency Plow that gives operators full control over wing activation



# WIDE-OUT™

High-Efficiency Plow for contractors that provides full control over wing activation



# PRODIGY™

Entry Level Commercial, High-Efficiency Plow that automates wing deployment



FEATURES	DESCRIPTION	FEATURES	DESCRIPTION
<b>BLADE SIZES</b>	8'6" extends to 11' in straight and 9'10" in scoop	<b>BLADE SIZES</b>	8' extends to 10' in straight and 8'10" in scoop
<b>BLADE CONSTRUCTION</b>	14-gauge powder coated steel.	<b>BLADE CONSTRUCTION</b>	14-gauge powder coated steel.
<b>HYDRAULIC WING EXTENSIONS</b>	Independently position each wing to minimize blade width and move more snow.	<b>HYDRAULIC WING EXTENSIONS</b>	Independently position each wing to minimize blade width and move more snow.
<b>FLARED WINGS</b>	Flared wing extensions as tall as 36" maximize efficiency and aggressively cast snow further when windrowing.	<b>FLARED WINGS</b>	Flared wing extensions as tall as 36" maximize efficiency and aggressively cast snow further when windrowing.
<b>HEAVY-DUTY SLIDE BOX</b>	Reduce the amount of snow that rolls off the top of the plow with standard flared wings that rise 6"-10" from the center pin.	<b>HEAVY-DUTY SLIDE BOX</b>	Reduce the amount of snow that rolls off the top of the plow with standard flared wings that rise 6"-10" from the center pin.
<b>STRUCTURAL REINFORCEMENT</b>	Eight vertical ribs, a heavy-duty quadrant and a dual WESTERN® POWER BAR provide exceptional torsional strength and rigidity across the entire back of the plow blade, eliminating blade twisting.	<b>STRUCTURAL REINFORCEMENT</b>	Six vertical ribs, a heavy-duty quadrant and a dual WESTERN POWER BAR provide exceptional torsional strength and rigidity across the entire back of the plow blade, eliminating blade twisting.
<b>LIFT RAM</b>	1.75"-diameter lift ram for more lifting power.	<b>LIFT RAM</b>	1.75"-diameter lift ram for more lifting power.
<b>ACCESSORIES</b>	Back Drag Edge, Rubber Snow Deflector, Shoe Kits, Poly Moldboard Cutting Edge, Poly Wing Cutting Edge, Carbide Moldboard Cutting Edge, 0.625" Steel Cutting Edge, Shock Absorber	<b>ACCESSORIES</b>	Back Drag Edge, Rubber Snow Deflector, Shoe Kits, Poly Moldboard Cutting Edge, Poly Wing Cutting Edge, Carbide Moldboard Cutting Edge, 0.625" Steel Cutting Edge, Shock Absorber
<b>TRUCK CLASS</b>	3, 4, 5	<b>TRUCK CLASS</b>	2, 3, 4

FEATURES	DESCRIPTION
<b>BLADE SIZES</b>	8'7" extends to 9'8" with wings pinned, 7'10" fully angled, and 8'10" in scoop
<b>BLADE CONSTRUCTION</b>	14-gauge powder coated steel.
<b>AUTOMATIC ADJUSTING WINGS</b>	Wings automatically adjust into scoop or windrow mode when you change the plowing angle with the control.
<b>STRAIGHT BLADE CONFIGURATION</b>	When the job calls for a large straight blade, the wings can be manually pinned into a 9'8" straight blade configuration.
<b>HEAVY-DUTY SLIDE BOX</b>	N/A
<b>STRUCTURAL REINFORCEMENT</b>	Six vertical ribs and the exclusive WESTERN® POWER BAR provide exceptional strength and rigidity across the entire back of the plow blade, eliminating blade twisting. Two additional ribs on each wing provide additional reinforcement.
<b>LIFT RAM</b>	1.75"-diameter lift ram for more lifting power.
<b>ACCESSORIES</b>	Back Drag Edge, Rubber Snow Deflector, Shoe Kit, Shock Absorber
<b>TRUCK CLASS</b>	2, 3, 4

## THE WESTERN WIDE-OUT AND WIDE-OUT XL ARE FOUR PLOWS IN ONE.



## WESTERN PRODIGY PLOWING CONFIGURATIONS.







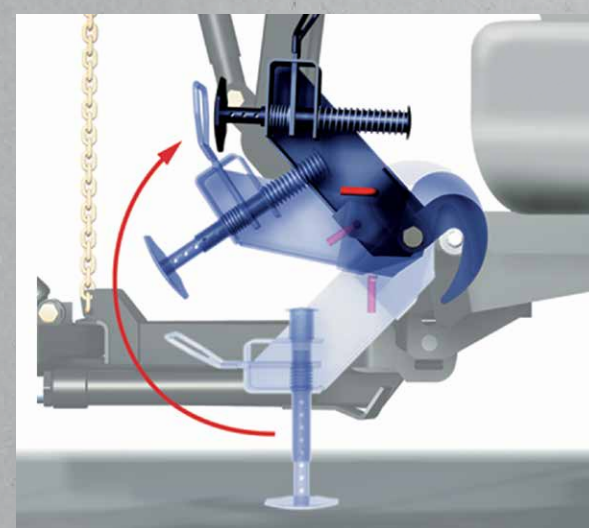
# “ STRAIGHT AND TO THE POINT.

When you're looking to keep it simple for snow removal, our WESTERN® full line of straight blade plows are what you're looking for. With limited moving parts and the ability to raise, lower, and angle left and right—these plows move snow efficiently with little to go wrong.

SNOWPLOW PICTURED:  
**PRO PLUS® HD**



**HYDRAULIC BLADE POSITION**  
Control lift and lower functionality and angle left and right from inside the truck cab.



**ATTACHMENT SYSTEMS**  
Fast and easy installation and removal of the blade to keep you running.

## STRAIGHT BLADE PLOW SERIES

FEATURING THE **PRO PLUS® HD**, **PRO PLUS®**, **PRO-PLOW® SERIES 2**, **MIDWEIGHT™**, **HTS™** AND **DEFENDER™** PLOWS

# PRO PLUS<sup>®</sup> HD

Heavy-Duty Commercial-Grade Straight Blade for front-line duty



# PRO PLUS<sup>®</sup>

Commercial-Grade Straight Blade for front-line duty



# PRO-PLOW<sup>®</sup> SERIES 2

Robust Straight Blade for entry-level commercial use



FEATURES	DESCRIPTION	FEATURES	DESCRIPTION
<b>BLADE SIZES</b>	10'	<b>BLADE SIZES</b>	8', 8'6", 9'
<b>BLADE CONSTRUCTION</b>	11-gauge powder coated steel	<b>BLADE CONSTRUCTION</b>	12-gauge powder coated steel
<b>STRUCTURAL REINFORCEMENT</b>	Eight vertical ribs provide structural reinforcement, ensuring proper alignment and reducing stress on the overall plow assembly.	<b>STRUCTURAL REINFORCEMENT</b>	Eight vertical ribs, a heavy-duty quadrant and a dual WESTERN <sup>®</sup> POWER BAR provide exceptional torsional strength and rigidity across the entire back of the plow blade, eliminating blade twisting.
<b>HIGH-STRENGTH STEEL BASE CHANNEL</b>	6" high-carbon steel reduces wear and extends the life of the blade.	<b>HIGH-STRENGTH STEEL BASE CHANNEL</b>	6" high-carbon steel reduces wear and extends the life of the blade.
<b>HIGH-STRENGTH RECTANGULAR TUBE QUADRANT</b>	Built to withstand season after season of commercial use.	<b>HIGH-STRENGTH RECTANGULAR TUBE QUADRANT</b>	Built to withstand season after season of commercial use.
<b>A-FRAME CONSTRUCTION</b>	The 3" square tubing provides strength and durability.	<b>A-FRAME CONSTRUCTION</b>	The 3" square tubing provides strength and durability.
<b>PIVOT BOLT</b>	The 1"-diameter pivot bolt secures the plow in place, ensuring proper alignment and reducing stress on the overall plow assembly.	<b>PIVOT BOLT</b>	The 1"-diameter pivot bolt secures the plow in place, ensuring proper alignment and reducing stress on the overall plow assembly.
<b>LIFT RAM</b>	1.75"-diameter lift ram for more lifting power.	<b>LIFT RAM</b>	1.5"-diameter lift ram for more lifting power.
<b>ACCESSORIES</b>	Shoe Kits, Rubber Snow Deflectors, Blade Stops, Carbide Cutting Edge, 0.625" Steel Cutting Edge	<b>ACCESSORIES</b>	Curb Guards, Plow Wings, Rubber Snow Deflectors, Back Drag Edge, Poly Snow Deflector, Carbide Cutting Edge*, 0.625" Steel Cutting Edge
<b>STANDARD ACCESSORIES</b>	N/A	<b>STANDARD ACCESSORIES</b>	N/A
<b>TRUCK CLASS</b>	5, 6, 7 (low-end)	<b>TRUCK CLASS</b>	2, 3, 4, 5

FEATURES	DESCRIPTION
<b>BLADE SIZES</b>	7'6", 8", 8'6"
<b>BLADE CONSTRUCTION</b>	11-gauge powder-coated steel; 0.375" high-density polyethylene (7'6", 8')
<b>STRUCTURAL REINFORCEMENT</b>	Seven vertical ribs provide structural reinforcement for exceptional torsional strength and rigidity, eliminating blade twisting.
<b>HIGH-STRENGTH STEEL BASE CHANNEL</b>	6" high-carbon steel reduces wear and extends the life of the blade.
<b>HIGH-STRENGTH RECTANGULAR TUBE QUADRANT</b>	Built to withstand season after season of commercial use.
<b>A-FRAME CONSTRUCTION</b>	The 3" square tubing provides strength and durability.
<b>PIVOT BOLT</b>	The 1"-diameter pivot bolt secures the plow in place, ensuring proper alignment and reducing stress on the overall plow assembly.
<b>LIFT RAM</b>	1.5"-diameter lift ram for more lifting power.
<b>ACCESSORIES</b>	Back Drag Edge, Curb Guard, Poly Snow Deflector, Rubber Snow Deflector (steel blades), 0.5" Steel Cutting Edge, Rubber Cutting Edge
<b>STANDARD ACCESSORIES</b>	Shoe Kit, Rubber Snow Deflector (polyethylene blades)
<b>TRUCK CLASS</b>	2, 3

\* Fits the 9' model only

# MIDWEIGHT™

Robust Straight Blade for entry-level contractor use



# HTS™

Steel Straight Blade Plow for contractors suitable for use on half-ton trucks



# DEFENDER™

Steel Straight Blade Plow for contractors suitable for use on mid-sized pick-ups and Jeeps



FEATURES	DESCRIPTION	FEATURES	DESCRIPTION
<b>BLADE SIZES</b>	7'6"	<b>BLADE SIZES</b>	7'6"
<b>BLADE CONSTRUCTION</b>	14-gauge powder coated steel; 0.25" high-density polyethylene	<b>BLADE CONSTRUCTION</b>	14-gauge powder coated steel
<b>STRUCTURAL REINFORCEMENT</b>	Six vertical ribs and the exclusive WESTERN® POWER BAR provide unmatched structural reinforcement, delivering exceptional torsional strength and rigidity, eliminating blade twisting.	<b>STRUCTURAL REINFORCEMENT</b>	Six vertical ribs and the exclusive WESTERN POWER BAR provide unmatched structural reinforcement, delivering exceptional torsional strength and rigidity, eliminating blade twisting.
<b>HIGH-STRENGTH STEEL BASE CHANNEL</b>	Provides extra support along the bottom of the plow blade.	<b>HIGH-STRENGTH STEEL BASE CHANNEL</b>	Provides extra support along the bottom of the plow blade.
<b>HIGH-STRENGTH RECTANGULAR TUBE QUADRANT</b>	Built to withstand season after season of commercial use.	<b>HIGH-STRENGTH RECTANGULAR TUBE QUADRANT</b>	Built to withstand season after season of commercial use.
<b>A-FRAME CONSTRUCTION</b>	The 3" square tubing provides strength and durability.	<b>A-FRAME CONSTRUCTION</b>	The 3" square tubing provides strength and durability.
<b>PIVOT BOLT</b>	The 1"-diameter pivot bolt secures the plow in place, ensuring proper alignment and reducing stress on the overall plow assembly.	<b>PIVOT BOLT</b>	The 1"-diameter pivot bolt secures the plow in place, ensuring proper alignment and reducing stress on the overall plow assembly.
<b>LIFT RAM</b>	1.5"-diameter lift ram for more lifting power.	<b>LIFT RAM</b>	2"-diameter double-acting lift ram for more lifting
<b>SCRAPE LOCK</b>	N/A	<b>SCRAPE LOCK</b>	Hydraulically holds the blade down for more efficient scraping and clean back dragging.
<b>ULTRAMOUNT® SNOWPLOW MOUNTING SYSTEM</b>	N/A	<b>ULTRAMOUNT SNOWPLOW MOUNTING SYSTEM</b>	Designed for fast and easy installation and removal using a simple mechanical system. Features a one-piece design and is 100% compatible with UltraMount® 2 system mounts and electrical platforms.
<b>ACCESSORIES</b>	Shoe Kits, Rubber Snow Deflectors, Blade Stops, Carbide Cutting Edge, 0.625" Steel Cutting Edge	<b>ACCESSORIES</b>	Back Drag Edge, Curb Guards, Shoe Kit, Rubber Snow Deflector, 0.375" Steel Cutting Edge
<b>TRUCK CLASS</b>	2, 3	<b>TRUCK CLASS</b>	Half-ton, 1

FEATURES	DESCRIPTION
<b>BLADE SIZES</b>	6'8", 7'2"
<b>BLADE CONSTRUCTION</b>	16-gauge powder-coated high-strength, low alloy steel that is stronger and lighter than conventional steel
<b>STRUCTURAL REINFORCEMENT</b>	Six vertical ribs deliver exceptional torsional rigidity, eliminating blade twisting.
<b>HIGH-STRENGTH STEEL BASE CHANNEL</b>	Provides extra support along the bottom of the plow blade.
<b>HIGH-STRENGTH RECTANGULAR TUBE QUADRANT</b>	Built to withstand season after season of commercial use.
<b>A-FRAME CONSTRUCTION</b>	The 3" square tubing provides strength and durability.
<b>PIVOT BOLT</b>	The 1"-diameter pivot bolt secures the plow in place, ensuring proper alignment and reducing stress on the overall plow assembly.
<b>LIFT RAM</b>	1.5"-diameter double-acting lift ram for more lifting power.
<b>SCRAPE LOCK</b>	Hydraulically holds the blade down for more efficient scraping and clean back dragging.
<b>GROUND CLEARANCE</b>	When the plow is not in use, quickly maximize vehicle ground clearance with removable receiver brackets. No tools are required.
<b>ACCESSORIES</b>	0.375" Steel Cutting Edge, Poly Cutting Edge, Rubber Snow Deflector, Curb Guards, Shoe Kit
<b>TRUCK CLASS</b>	Jeeps, mid-size pickups

# CONTROL OVERVIEW

Once you introduce your crew to WESTERN® plows, you can grow within our range of plows easily. Our common control pattern allows you to update your plows without having to retrain your plow operators on a new control. This allows you to maintain efficiency as the demands of your property portfolio changes.



### AUTOMATIC SHUTDOWN

If the control has been idle for more than 20 minutes, it will power down.

Simply press ON/OFF button to repower.



# PROTECT YOUR INVESTMENT WITH WESTERN® PARTS & ACCESSORIES.



## BACK DRAG EDGE

Angled to maximize back dragging, the WESTERN back drag edge is constructed of 0.25" abrasion-resistant steel. Easy to install, a back drag edge ensures a clean scrape every time.



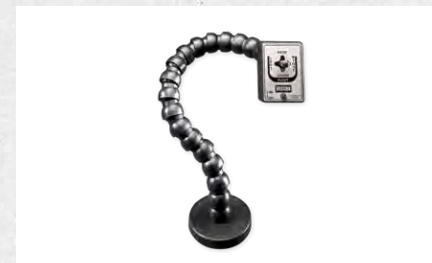
## BLADE STOPS

Protect your plow by ensuring heavy loads are distributed evenly. Made of reinforced, 0.188", high-strength steel tube, blade stops reduce stress and wear on heavy-duty plow blades. PRO PLUS® HD shown.



## COMMERCIAL BLADE GUIDES

Commercial blade guides are highly visible bright red, enhanced with reflective tape, and available in 24" or 36" lengths.



## FLEX ARM™ QUICK-RELEASE FLEXIBLE CONTROL MOUNT

The quick-release, flexible control mount adjusts to any position and features a magnetic base for easy removal without needing to put mounting holes in your dash.



## GRILLE PLATE

Create clean and professional looking snowplow installations with the stainless steel grille plate kits. Customizable 11-pin and 14-pin kits create harness storage locations for any application.



## HIGH-PERFORMANCE HYDRAULIC FLUID

Available in quart and gallon containers, WESTERN® high-performance hydraulic fluid is formulated to provide better viscosity in all temperatures. This means your plow will operate at the optimum level no matter what the weather conditions.



## WESTERN BLADE GUIDES WITH FLAGS

These attractive blade guides with replaceable flags help improve operator visibility and plow blade positioning.



## CONTROL CUP HOLDER MOUNT

Functional and practical, the Control Cup Holder Mount lets you secure your WESTERN plow control or your smartphone on a flexible gooseneck mount for optimal, customizable positioning.



## CONVERSION KIT

This easy-to-use UltraMount® to UniMount® conversion kit enables you to attach a UniMount plow to a vehicle equipped with an UltraMount system vehicle mount. This kit is perfect if you have multiple snowplows.



## PLOW WINGS

Expand the carrying capacity of select plows by adding a pair of genuine WESTERN plow wings. MVP 3™ plow wings shown.



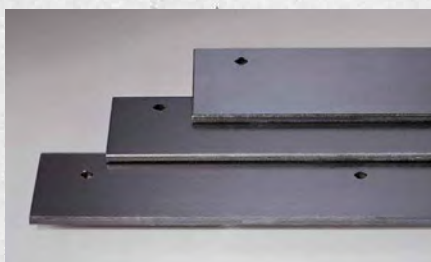
## POLY SNOW DEFLECTOR

This heavy-duty poly snow deflector is curved to improve snow containment, and Roll-Action™ handling.



## PRO-GRIP MOUNT

Kit contains adhesive-backed locking strips to secure the WESTERN solenoid control and spreader controls to interior vehicle surfaces. Allows the control to be easily removed yet held firmly in place.



## CUTTING EDGES

Keep your blade at the top of its game by installing a genuine WESTERN cutting edge. Cutting edges increase wear resistance and restore your worn base angle to the proper geometry. Steel, rubber, poly, and carbide options available depending on plow model.



## EXTREME DEFENSE™ GREASE

Defends and protects plow and spreader bearings, pivot points, and moving components from wear and corrosion, even in extreme cold.



## WESTERN FACTORY ORIGINAL PAINT

Time to touch up your WESTERN snowplow blade or black iron? Available in spray or quart cans, in red or black, topcoat or the primer-based undercoat, these Factory Original paints provide durable coverage and are formulated to match your original equipment.



## RUBBER SNOW DEFLECTORS – 10" AND 18"

Made from 2-ply, heavy-duty rubber, these easy-to-install rubber deflector kits provide improved visibility by deflecting snow forward instead of onto your windshield.



## SHOE KITS

Shoe kits help your plow glide over gravel and dirt at the correct height and extend cutting edge and base angle life when plowing on rocky or abrasive surfaces. Kits vary by plow model. High wear shoe kits available for specific models.



## SNOWPLOW EMERGENCY PARTS KIT

Be prepared! Packed in an easy-to-store WESTERN Factory Original nylon duffel bag, these parts kits provide the high-volume, Factory Original parts needed for emergency snowplow repairs.

# PLOW ACCESSORY MATRIX

	MVP 3" 10'6"	MVP 3" 9'6"	MVP 3" 8'6"	MVP PLUS™ 9'6"	MVP PLUS 8'6"	ENFORCER™ 7'6"	WIDE-OUT™ XL	WIDE-OUT™	PRODIGY™
	V-PLOWS						WINGED PLOWS		
POLY CUTTING EDGE	X	X	X	X	X	X			
0.5" STEEL CUTTING EDGE***	X	X	X	X	X	X			
0.625" STEEL CUTTING EDGE	X	X	X	X	X			X	X
0.75" CARBIDE CUTTING EDGE	X	X	X	X	X				
POLY WING CUTTING EDGE							X	X	
POLY MOLDBOARD CUTTING EDGE							X	X	
BACK DRAG EDGE	X	X	X	X	X	X	X	X	X
BLADE STOP KIT		X	X	X	X	X			
CURB GUARD PAIR**		X	X	X	X	X			
CURB GUARD OUTER EDGE	X								
GRILLE PLATE 11-PIN KIT	X	X	X	X	X	X	X	X	X
GRILLE PLATE 14-PIN KIT	X	X	X	X	X	X	X	X	X
SECURITY KIT - LED HEADLIGHTS	X	X	X	X	X	X	X	X	X
CUP HOLDER CONTROL MOUNT	X	X	X	X	X	X	X	X	X
FLEX ARM™ CONTROL MOUNT	X	X	X	X	X	X	X	X	X
PRO GRIP MOUNT KIT	X	X	X	X	X	X	X	X	X
DIELECTRIC GREASE	X	X	X	X	X	X	X	X	X
QT FLUID	X	X	X	X	X	X	X	X	X
RUBBER DEFLECTOR	X	X	X	X	X	X			X
DEFLECTOR KIT							X	X	
SHOE KIT	X	X	X	X	X	X	X	X	X
EXTREME WEAR SHOE KIT	X	X	X	X	X	X			
WING EXTENSION KIT		X	X	X†	X				

	PRO PLUS® HD 10'	PRO PLUS® 9'	PRO PLUS 8'6" & 8'	PRO-PLOW® SERIES 2 8'6"	PRO-PLOW SERIES 2 8' POLY	PRO-PLOW SERIES 2 8' STEEL	PRO-PLOW SERIES 2 7'6" POLY	PRO-PLOW SERIES 2 7'6" STEEL	MIDWEIGHT™	HTS™ 7'6"	DEFENDER™ 7'2" & 6'8"
	STRAIGHT BLADE PLOWS										
RUBBER CUTTING EDGE								X		X	
POLY CUTTING EDGE											X
STEEL CUTTING EDGE	0.625"			0.5"	0.5"	0.5"	0.5"	0.5"		0.375"	0.375"
CARBIDE CUTTING EDGE	0.75"										
DIELECTRIC GREASE		X	X	X	X	X	X	X	X	X	X
BACK DRAG EDGE		X	X	X	X	X	X	X	X	X	
CURB GUARD - SINGLE**	X			X	X	X	X	X			
CURB GUARD - PAIR**		X	X						X	X	X
POLY DEFLECTOR		X	X	X			X		X		
RUBBER DEFLECTOR	X	X	X	X			X		X	X	X
CUP HOLDER CONTROL MOUNT	X	X	X	X	X	X	X	X	X	X	X
FLEX ARM™ CONTROL MOUNT	X	X	X	X	X	X	X	X	X	X	X
PRO GRIP MOUNT	X	X	X	X	X	X	X	X	X	X	X
SECURITY KIT FOR LED HEADLIGHTS	X	X	X	X	X	X	X	X	X	X	X
GRILLE PLATE - 11-PIN KIT	X	X	X	X	X	X	X	X	X	X	X
GRILLE PLATE - 14-PIN KIT	X	X	X	X	X	X	X	X	X	X	X
QT FLUID	X	X	X	X	X	X	X	X	X	X	X
BLADE STOP KIT	X										
SHOE KIT	X	std	std	std	std	std	std	std	X	X	X
EXTREME WEAR SHOE KIT	X										
WING EXTENSION KIT		X	X								

std = Included standard with plow  
x = Sold separately

\* MVP 3" cannot use plow shoes and back drag edges simultaneously  
\*\* Curb Guards cannot be used simultaneously with Wing Extension Kits  
\*\*\* 0.5" is standard for PRO PLUS, MVP PLUS™, & WIDE-OUT™; item sold as a service part  
† Only available on Poly Model

# SPECIFICATIONS

## MVP 3™



PLOW TYPE	V-PLOW	V-PLOW	V-PLOW
<b>MOLDBOARD OPTIONS</b>	Steel/Stainless/Poly	Steel/Stainless/Poly	Steel/Stainless
<b>BLADE WIDTH</b>	8'6" (2.59 m)	9'6" (2.90 m)	10'6" (3.20 m)
<b>BLADE HEIGHT</b>	At Center: 31" (78.74 cm) At End: 38" (96.52 cm)	At Center: 31" (78.74 cm) At End: 39" (99.06 cm)	At Center: 35" (88.90 cm) At End: 45" (114.30 cm)
<b>BLADE THICKNESS</b>	Steel: 14 ga (1.98 mm) Poly: 0.25" (6.40 mm)	Steel: 14 ga (1.98 mm) Poly: 0.25" (6.40 mm)	Steel: 11 ga (3.05 mm) Stainless: 12 ga (2.66 mm)
<b>SHOCK ABSORBERS</b>	—	—	—
<b>TRIP SPRINGS</b>	4	6	6
<b>RIBS</b>	8	8	8
<b>LIFT CYLINDER</b>	1.75" x 8" (4.45 cm x 20.32 cm)	1.75" x 8" (4.45 cm x 20.32 cm)	1.75" x 8" (4.45 cm x 20.32 cm)
<b>ANGLING RAMS</b>	1.75" x 11" (4.45 cm x 27.94 cm)	1.75" x 11" (4.45 cm x 27.94 cm)	2" x 11" (5.08 cm x 27.94 cm)
<b>PLOWING WIDTH (FULL ANGLE)</b>	Full Angle: 7'5" (2.26 m) Scoop: 7'2" (2.18 m) Full V: 7'8" (2.34 m)	Full Angle: 8'6" (2.59 m) Scoop: 8'2" (2.49 m) Full V: 8'7" (2.62 m)	Full Angle: 9'9" (2.97 m) Scoop: 9'7" (2.92 m) Full V: 9'11" (3.02 m)
<b>APPROX. WEIGHT* (LESS MOUNT)</b>	Steel: 940 lb (426.38 kg) Poly: 890 lb (403.70 kg)	Steel: 1022 lb (463.57 kg) Poly: 972 lb (440.89 kg)	1196 lb (542.50 kg)
<b>CUTTING EDGE</b>	0.375" x 6" (0.95 cm x 15.24 cm) 0.5" x 6"*** (1.27 cm x 15.24 cm)	0.5" x 6" (1.27 cm x 15.24 cm)	0.5" x 6" (1.27 cm x 15.24 cm)
<b>MOUNT TYPE</b>	UltraMount® 2	UltraMount 2	UltraMount 2

\* UltraMount 2 mount weight range: 28 lb to 145 lb (12.70 kg to 65.77 kg)  
\*\* Optional accessory

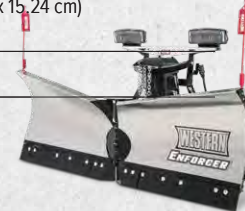
## MVP PLUS™



PLOW TYPE	V-PLOW	V-PLOW	V-PLOW
<b>MOLDBOARD OPTIONS</b>	Steel/Poly	Steel/Poly	Steel/Powder Coated
<b>BLADE WIDTH</b>	8'6" (2.59 m)	9'6" (2.90 m)	7'6" (2.29 m)
<b>BLADE HEIGHT</b>	29" (73.66 cm)	31" (78.74 cm)	At Center: 27" (68.58 cm) At End: 33" (83.82 cm)
<b>BLADE THICKNESS</b>	Steel: 14 ga (1.98 mm) Poly: 0.25" (6.40 mm)	Steel: 14 ga (1.98 mm) Poly: 0.25" (6.40 mm)	Steel: 14 ga (1.98 mm)
<b>SHOCK ABSORBERS</b>	—	—	—
<b>TRIP SPRINGS</b>	4	6	2
<b>RIBS</b>	8	8	6
<b>LIFT CYLINDER</b>	1.5" x 8" (3.81 cm x 20.32 cm)	1.5" x 8" (3.81 cm x 20.32 cm)	1.25" x 8.625" (3.18 cm x 21.91 cm)
<b>ANGLING RAMS</b>	1.75" x 11" (4.45 cm x 27.94 cm)	1.75" x 11" (4.45 cm x 27.94 cm)	1.5" x 12" (3.81 cm x 30.48 cm)
<b>PLOWING WIDTH (FULL ANGLE)</b>	Full Angle: 7'5" (2.26 m) Scoop: 7'1" (2.16 m) Full V: 7'7" (2.31 m)	Full Angle: 8'3" (2.51 m) Scoop: 7'11" (2.41 m) Full V: 8'7" (2.62 m)	Full Angle: 6'7" (2.01 m) Scoop: 6'5" (1.96 m) Full V: 6'9" (2.06 m)
<b>APPROX. WEIGHT* (LESS MOUNT)</b>	Steel: 880 lb (399.16 kg) Poly: 847 lb (384.19 kg)	Steel: 988 lb (448.15 kg) Poly: 964 lb (437.26 kg)	Steel: 553 lb (250.84 kg) Powder Coated: 508 lb (230.43 kg)
<b>CUTTING EDGE</b>	0.375" x 6" (0.95 cm x 15.24 cm) 0.5" x 6"***	0.5" x 6" (1.27 cm x 15.24 cm)	0.375" x 6" (0.95 cm x 15.24 cm)
<b>MOUNT TYPE</b>	UltraMount 2	UltraMount 2	UltraMount 2

\* UltraMount 2 mount weight range: 28 lb to 145 lb (12.70 kg to 65.77 kg)  
\*\* Optional accessory

## ENFORCER™



## WIDE-OUT™\*\*



## WIDE-OUT™ XL



## PRODIGY™



PLOW TYPE	WINGED	WINGED	WINGED
<b>MOLDBOARD OPTIONS</b>	Steel	Steel	Steel
<b>BLADE WIDTH</b>	Retracted: 8' (2.44 m) Expanded: 10' (3.05 m) Scoop: 8'10" (2.69 m)	Retracted: 8'6" (2.59 m) Expanded: 11' (3.35 m) Scoop: 9'10" (3.00 m)	Scoop: 8'7" (2.62 m) Wings Pinned: 9'8" (2.95 m)
<b>BLADE HEIGHT</b>	At Center: 31" (78.74 cm) At End: 35" (88.90 cm)	At Center: 31" (78.74 cm) At End: 36" (91.44 cm)	29.5" (74.93 cm)
<b>BLADE THICKNESS</b>	14 ga (2.11 mm)	14 ga (2.11 mm)	12 ga (2.78 mm)
<b>SHOCK ABSORBERS</b>	Optional	Optional	Optional
<b>TRIP SPRINGS</b>	4	4	4
<b>RIBS</b>	6	8	8
<b>LIFT CYLINDER</b>	1.75" x 8" (4.45 cm x 20.32 cm)	1.75" x 8" (4.45 cm x 20.32 cm)	1.5" x 8" (3.81 cm x 20.32 cm)
<b>ANGLING RAMS</b>	1.5" x 10" (3.81 cm x 25.40 cm)	1.5" x 10" (3.81 cm x 25.40 cm)	1.5" x 10" (3.81 cm x 25.40 cm)
<b>PLOWING WIDTH (FULL ANGLE)</b>	Retracted: 7'2" (2.18 m) Expanded: 9' (2.74 m) Scoop: 7'11" (2.41 m)	Retracted: 7'11" (2.41 m) Expanded: 10'6" (3.20 m) Scoop: 9'6" (2.90 m)	Full Angle: 7'10" (2.39 m) Scoop: 8'7" (2.61 m)
<b>APPROX. WEIGHT* (LESS MOUNT)</b>	1020 lb (462.66 kg)	1090 lb (494.42 kg)	880 lb (399.16 kg)
<b>CUTTING EDGE</b>	0.5" x 6" (1.27 cm x 15.24 cm)	0.5" x 6" (1.27 cm x 15.24 cm)	0.5" x 6" (1.27 cm x 15.24 cm)
<b>MOUNT TYPE</b>	UltraMount® 2	UltraMount 2	UltraMount 2

\* UltraMount 2 mount weight range: 28 lb to 145 lb (12.70 kg to 65.77 kg)  
\*\* All product features and specifications listed in this brochure apply to WIDE-OUT snowplows with serial numbers beginning with 180210 and higher

## PRO PLUS® HD PRO PLUS®



PLOW TYPE	STRAIGHT	STRAIGHT	STRAIGHT	STRAIGHT
<b>MOLDBOARD OPTIONS</b>	Steel	Steel	Steel	Steel
<b>BLADE WIDTH</b>	10' (3.05 m)	8' (2.44 m)	8'6" (2.59 m)	9' (2.74 m)
<b>BLADE HEIGHT</b>	34" (86.36 cm)	31.5" (80.01 cm)	31.5" (80.01 cm)	31.5" (80.01 cm)
<b>BLADE THICKNESS</b>	11 ga (3.05 mm)	12 ga (2.78 mm)	12 ga (2.78 mm)	12 ga (2.78 mm)
<b>SHOCK ABSORBERS</b>	2	2	2	2
<b>TRIP SPRINGS</b>	6	4	4	4
<b>RIBS</b>	8	8	8	8
<b>LIFT CYLINDER</b>	1.75" x 8" (4.45 cm x 20.32 cm)	1.5" x 8" (3.81 cm x 20.32 cm)	1.5" x 8" (3.81 cm x 20.32 cm)	1.5" x 8" (3.81 cm x 20.32 cm)
<b>ANGLING RAMS</b>	2" x 12.5" (5.08 cm x 31.75 cm)	1.5" x 12" (3.81 cm x 30.48 cm)	1.5" x 12" (3.81 cm x 30.48 cm)	1.5" x 12" (3.81 cm x 30.48 cm)
<b>PLOWING WIDTH (FULL ANGLE)</b>	8'9" (2.67 m)	6'11" (2.11 m)	7'4" (2.24 m)	7'9" (2.36 m)
<b>APPROX. WEIGHT* (LESS MOUNT)</b>	1075 lb (487.61 kg)	805 lb (365.14 kg)	821 lb (372.40 kg)	837 lb (379.66 kg)
<b>CUTTING EDGE</b>	0.5" x 6" (1.27 cm x 15.24 cm)	0.5" x 6" (1.27 cm x 15.24 cm)	0.5" x 6" (1.27 cm x 15.24 cm)	0.5" x 6" (1.27 cm x 15.24 cm)
<b>MOUNT TYPE</b>	UltraMount 2	UltraMount 2	UltraMount 2	UltraMount 2

\* UltraMount 2 mount weight range: 28 lb to 145 lb (12.70 kg to 65.77 kg)

# SPECIFICATIONS

## PRO-PLOW® SERIES 2



PLOW TYPE	STRAIGHT	STRAIGHT	STRAIGHT
<b>MOLDBOARD OPTIONS</b>	Steel/Poly	Steel/Poly	Steel
<b>BLADE WIDTH</b>	7'6" (2.29 m)	8' (2.44 m)	8'6" (2.59 m)
<b>BLADE HEIGHT</b>	29" (73.66 cm)	29" (73.66 cm)	29" (73.66 cm)
<b>BLADE THICKNESS</b>	Steel: 11 ga (3.18 mm) Poly: 0.375" (9.52 mm)	Steel: 11 ga (3.18 mm) Poly: 0.375" (9.52 mm)	11 ga (3.18 mm)
<b>SHOCK ABSORBERS</b>	1	1	1
<b>TRIP SPRINGS</b>	4	4	4
<b>RIBS</b>	7	7	7
<b>LIFT CYLINDER</b>	1.5" x 8" (3.81 cm x 20.32 cm)	1.5" x 8" (3.81 cm x 20.32 cm)	1.5" x 8" (3.81 cm x 20.32 cm)
<b>ANGLING RAMS</b>	1.5" x 10" (3.81 cm x 25.40 cm)	1.5" x 10" (3.81 cm x 25.40 cm)	1.5" x 10" (3.81 cm x 25.40 cm)
<b>PLOWING WIDTH (FULL ANGLE)</b>	6'6" (1.98 m)	6'11" (2.11 m)	7'4" (2.24 m)
<b>APPROX. WEIGHT* (LESS MOUNT)</b>	Steel: 653 lb (296.20 kg) Poly: 677 lb (307.08 kg)	Steel: 668 lb (303.00 kg) Poly: 690 lb (313.00 kg)	686 lb (311.16 kg)
<b>CUTTING EDGE</b>	0.375" x 6" (0.95 cm x 15.24 cm)	0.375" x 6" (0.95 cm x 15.24 cm)	0.375" x 6" (0.95 cm x 15.24 cm)
<b>MOUNT TYPE</b>	UltraMount® 2	UltraMount 2	UltraMount 2

\* UltraMount 2 mount weight range: 28 lb to 145 lb (12.70 kg to 65.77 kg)

## MIDWEIGHT™

## HTS™



PLOW TYPE	STRAIGHT	STRAIGHT
<b>MOLDBOARD OPTIONS</b>	Steel/Poly	Steel
<b>BLADE WIDTH</b>	7'6" (2.29 m)	7'6" (2.29 m)
<b>BLADE HEIGHT</b>	27" (68.58 cm)	27" (68.58 cm)
<b>BLADE THICKNESS</b>	Steel: 14 ga (1.98 mm) Poly: 0.25" (6.40 mm)	14 ga (1.98 mm)
<b>TRIP SPRINGS</b>	2	2
<b>SHOCK ABSORBERS</b>	—	—
<b>RIBS</b>	6	6
<b>LIFT CYLINDER</b>	1.5" x 8" (3.81 cm x 20.32 cm)	2" x 6.75" (5.08 cm x 17.15 cm)
<b>ANGLING RAMS</b>	1.5" x 10" (3.81 cm x 25.40 cm)	1.5" x 8" (3.81 cm x 20.32 cm)
<b>PLOWING WIDTH (FULL ANGLE)</b>	6'6" (1.98 m)	6'7" (2.01 m)
<b>APPROX. WEIGHT* (LESS MOUNT)</b>	Steel: 540 lb (244.94 kg) Poly: 532 lb (241.31 kg)	412 lb (186.90 kg)
<b>CUTTING EDGE</b>	0.375" x 6" (0.95 cm x 15.24 cm)	0.313" x 6" (0.80 cm x 15.24 cm)
<b>MOUNT TYPE</b>	UltraMount 2	UltraMount®

\* UltraMount 2 mount weight range: 28 lb to 145 lb (12.70 kg to 65.77 kg)

## DEFENDER™

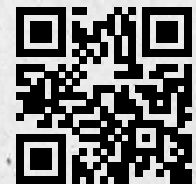


PLOW TYPE	STRAIGHT	STRAIGHT
<b>MOLDBOARD OPTIONS</b>	Steel	Steel
<b>BLADE WIDTH</b>	6'8" (2.00 m)	7'2" (2.10 m)
<b>BLADE HEIGHT</b>	23.5" (59.70 cm)	23.5" (59.70 cm)
<b>BLADE THICKNESS</b>	16 ga (1.50 mm)	16 ga (1.50 mm)
<b>SHOCK ABSORBERS</b>	—	—
<b>TRIP SPRINGS</b>	2	2
<b>RIBS</b>	6	6
<b>LIFT CYLINDER</b>	1.5" x 6" (3.81 cm x 15.24 cm)	1.5" x 6" (3.81 cm x 15.24 cm)
<b>ANGLING RAMS</b>	1" x 7" (2.54 cm x 17.78 cm)	1" x 7" (2.54 cm x 17.78 cm)
<b>PLOWING WIDTH (FULL ANGLE)</b>	5'11" (1.80 m)	6'5" (1.96 m)
<b>APPROX. WEIGHT (LESS MOUNT)</b>	290 lb (131.54 kg)	297 lb (134.72 kg)
<b>CUTTING EDGE</b>	0.25" x 5" (0.60 cm x 12.70 cm)	0.25" x 5" (0.60 cm x 12.70 cm)
<b>MOUNT TYPE</b>	Personal Plow	Personal Plow

## WEBSITE RESOURCES

### FIND THE PLOWS THAT BEST FIT YOUR VEHICLE

Quick Match lets you easily identify which WESTERN® snowplows will fit your vehicle, based on your vehicle's unique specifications. For future reference and comparison purposes, you can save your selected plow in our system database, print out the information or email it to your inbox. Find the WESTERN snowplows that will help you get more jobs done by visiting at [westernplows.com/quick-match](https://westernplows.com/quick-match).



### YOUR LOCAL WESTERN DEALER IS HERE TO HELP

Call or visit your local WESTERN dealer to learn more about Western Products' full-line of professional-grade snowplows and spreaders, to inquire about product availability or installation, or ask any questions about which products would be the best fit for your job or vehicle applications. Find your local WESTERN dealer by visiting [westernplows.com/dealers](https://westernplows.com/dealers).

### WARRANTY & REGISTRATION

Western Products offers a 2-year limited warranty on most WESTERN snow and ice control products. Register your equipment today to create a record of your purchase and receive a full range of benefits including trouble-free warranty work, serial number identification for theft protection, and promotions. Register your products by visiting [westernplows.com/warranty](https://westernplows.com/warranty).





Western Products | P.O. Box 245038 | Milwaukee, WI 53224-9538



[westernplows.com](http://westernplows.com)



Western Products reserves the right under its product improvement policy to change construction or design details and furnish equipment when so altered without reference to illustrations or specifications used. Western Products or the vehicle manufacturer may require or recommend optional equipment for snow removal. Do not exceed vehicle ratings with a snowplow. This product is manufactured under the following US patents: 7,134,227; 7,400,058; 7,737,576; 8,850,724; 9,200,418; 9,822,563; 10,793,056; CAN patents: 2,358,145; 2,466,195; and other patents pending. Western Products offers a limited warranty for all snowplows and accessories. See separately printed page for this important information. The following are registered (®) or unregistered (™) trademarks of Douglas Dynamics, LLC: CONTRACTOR GRADE®, DEFENDER™, EdgeView™, ENFORCER™, EXTREME DEFENSE™, FLEX ARM™, HTS™, IMPACT™, MIDWEIGHT™, MVP 3™, MVP PLUS™, NIGHTHAWK™, PILE DRIVER™, PRO-PLOW® Series 2, PRO PLUS®, PRO PLUS® HD, PRODIGY™, Roll-Action™, SECURITY GUARD™, Striker™, ULTRAFINISH™, UltraMount®, UltraMount® 2, UniMount®, WESTERN®, WIDE-OUT™ and WIDE-OUT™ XL.

©2021 Douglas Dynamics, LLC  
All rights reserved.

 A DIVISION OF DOUGLAS DYNAMICS, LLC

Printed in U.S.A.  
Form No. 79323 - AU21